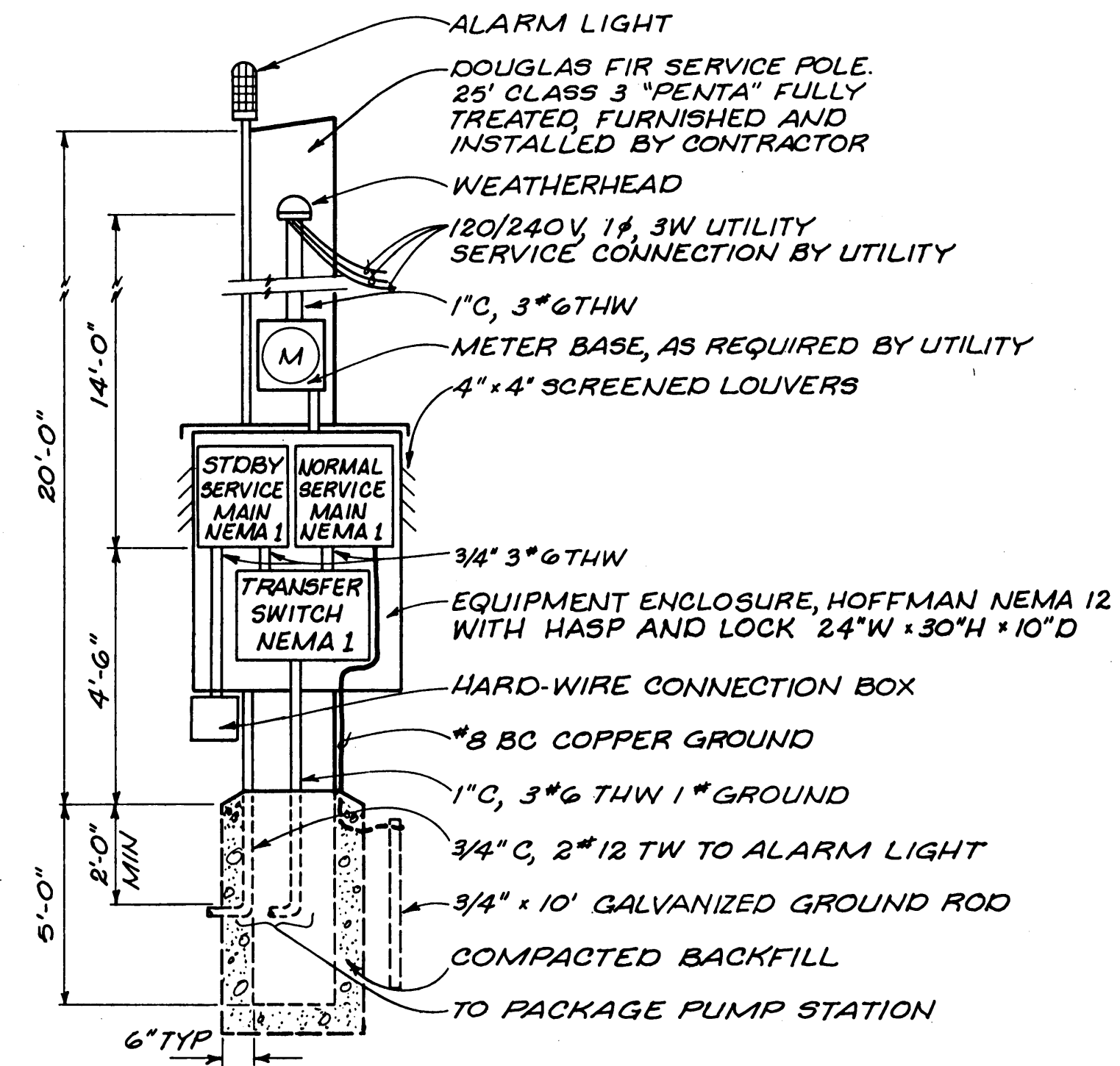
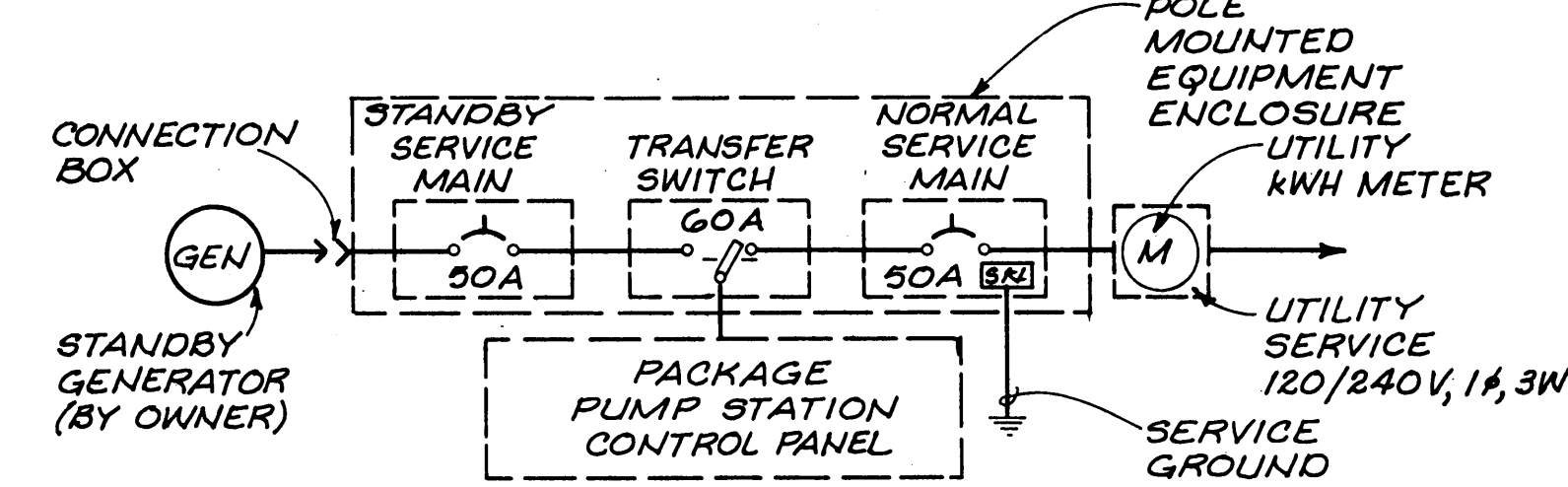


**REUSE OF DOCUMENTS**

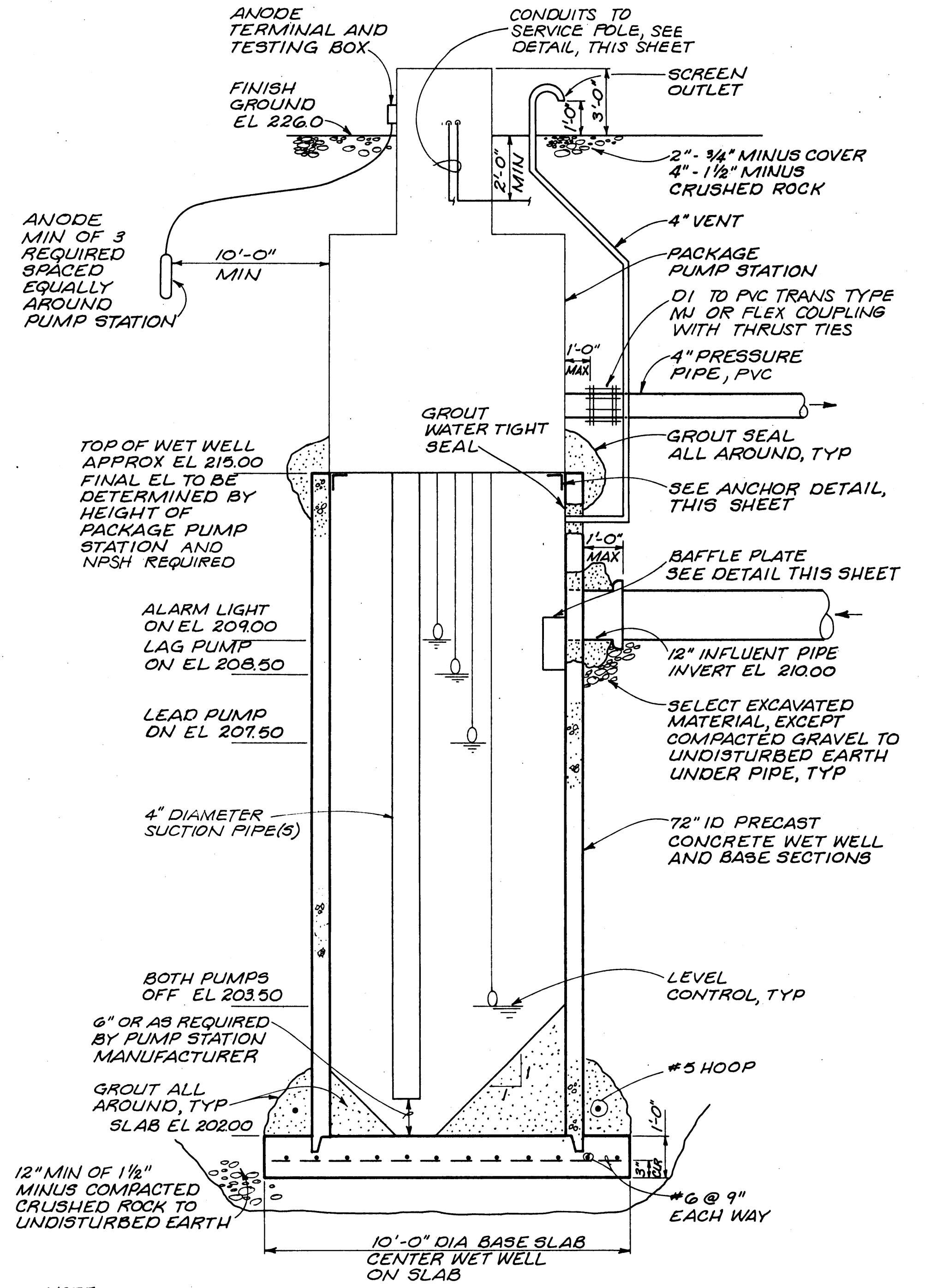
THIS DOCUMENT, AND THE IDEAS AND DESIGNS INCORPORATED HEREIN, AS AN INSTRUMENT OF PROFESSIONAL SERVICE, IS THE PROPERTY OF CH2M HILL AND IS NOT TO BE USED, IN WHOLE OR IN PART, FOR ANY OTHER PROJECT WITHOUT THE WRITTEN AUTHORIZATION OF CH2M HILL.



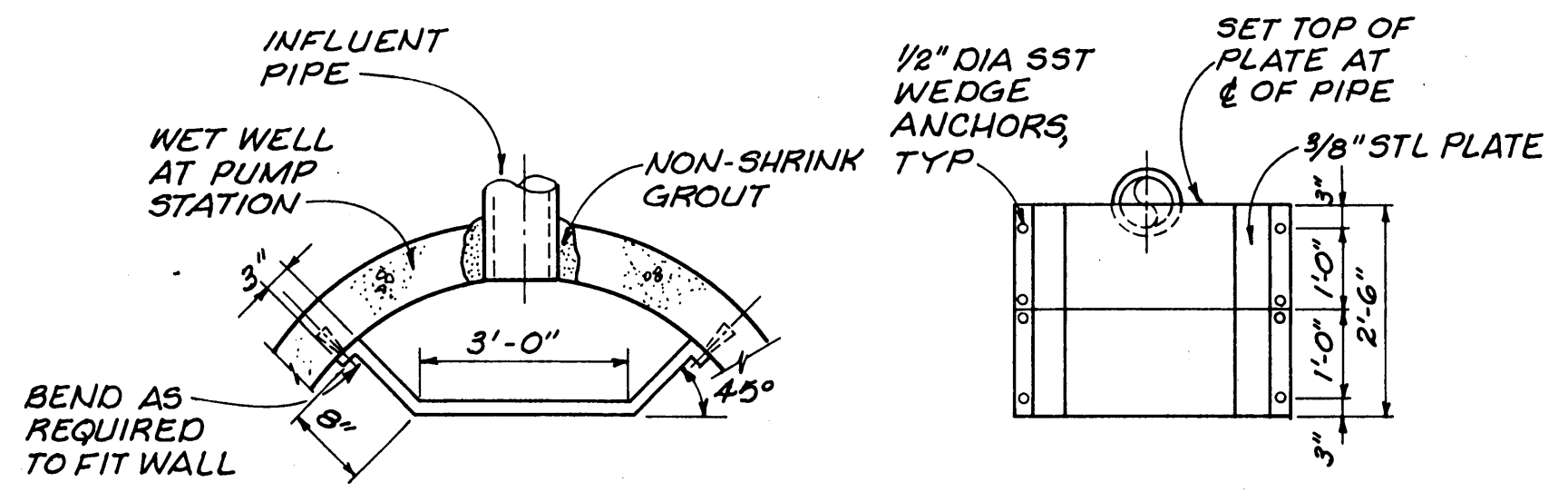
**SERVICE POLE DETAIL**  
NTS



**ONE-LINE DIAGRAM**  
NTS

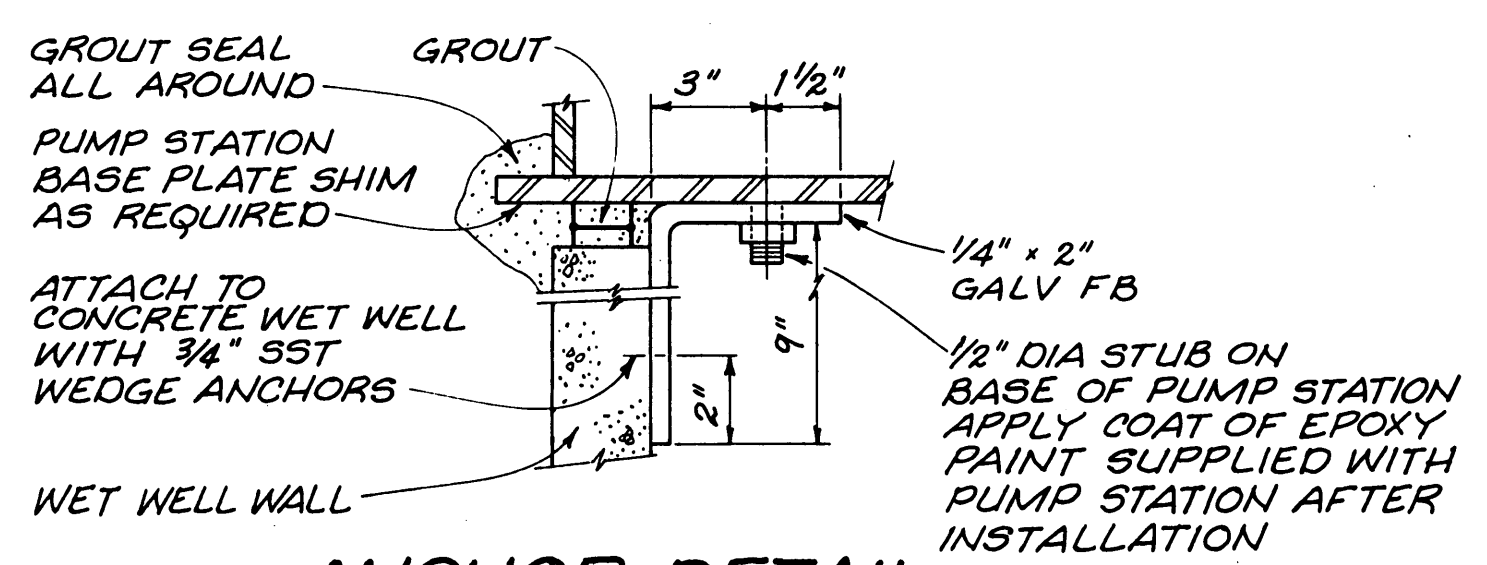


**DRAPERVILLE PUMP STATION COMPOSITE SECTION**  
NTS

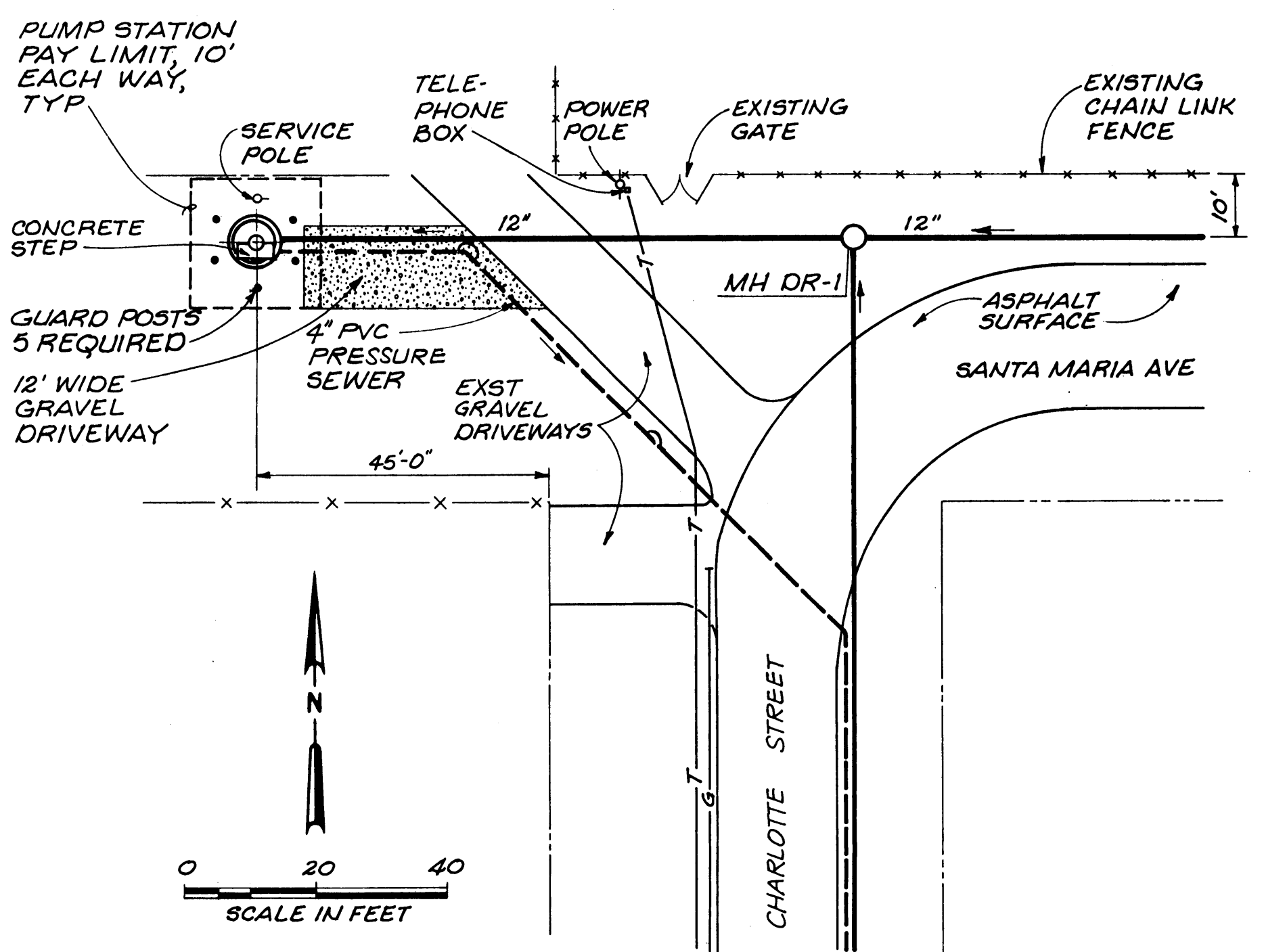


**BAFFLE PLATE DETAIL**  
NTS

NOTE: HOT DIP GALVANIZE PLATE AFTER FABRICATION



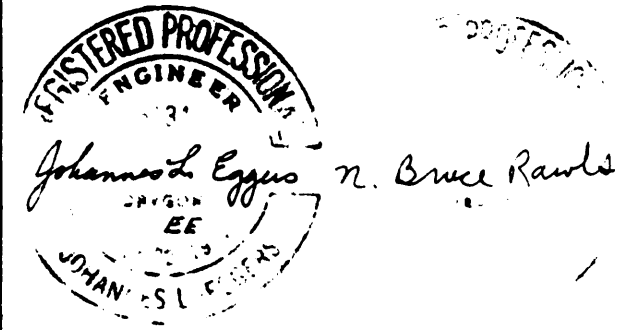
**ANCHOR DETAIL (EIGHT REQD)**  
NTS



**DRAPERVILLE PUMP STATION SITE PLAN**

**RECORD DRAWINGS**  
Revisions Drawn by *L.M. SCHLABACH* Date *FEB 1983*

	DSGN	N.B. RAWLS	THESE RECORD DRAWINGS HAVE BEEN PREPARED, IN PART, ON THE BASIS OF INFORMATION COMPILED BY OTHERS. THEY ARE NOT INTENDED TO REPRESENT IN DETAIL THE EXACT LOCATION, TYPE OF COMPONENT NOR MANNER OF CONSTRUCTION. THE ENGINEER WILL NOT BE RESPONSIBLE FOR ANY ERRORS OR OMISSIONS WHICH HAVE BEEN INCORPORATED INTO THE RECORD DRAWINGS.	DRAPERVILLE SANITARY SEWAGE COLLECTION SYSTEM	VERIFY SCALES BAR IS ONE INCH ON ORIGINAL DRAWING. 0 1' IF NOT ONE INCH ON THIS SHEET, ADJUST SCALES ACCORDINGLY.	CITY OF ALBANY ALBANY, OREGON	DRAPERVILLE PUMP STATION	SHEET	34
	DR	L.M. SCHLABACH						DATE	APRIL 1982
	CHK	R.L. HUMPHREY						PROJ	C13322.A1
	APVD	M.D. LARKIN						NO.	



44  
 51  
 PRINTED  
 3 50M  
 FILM  
 4E  
 351-2224 DC