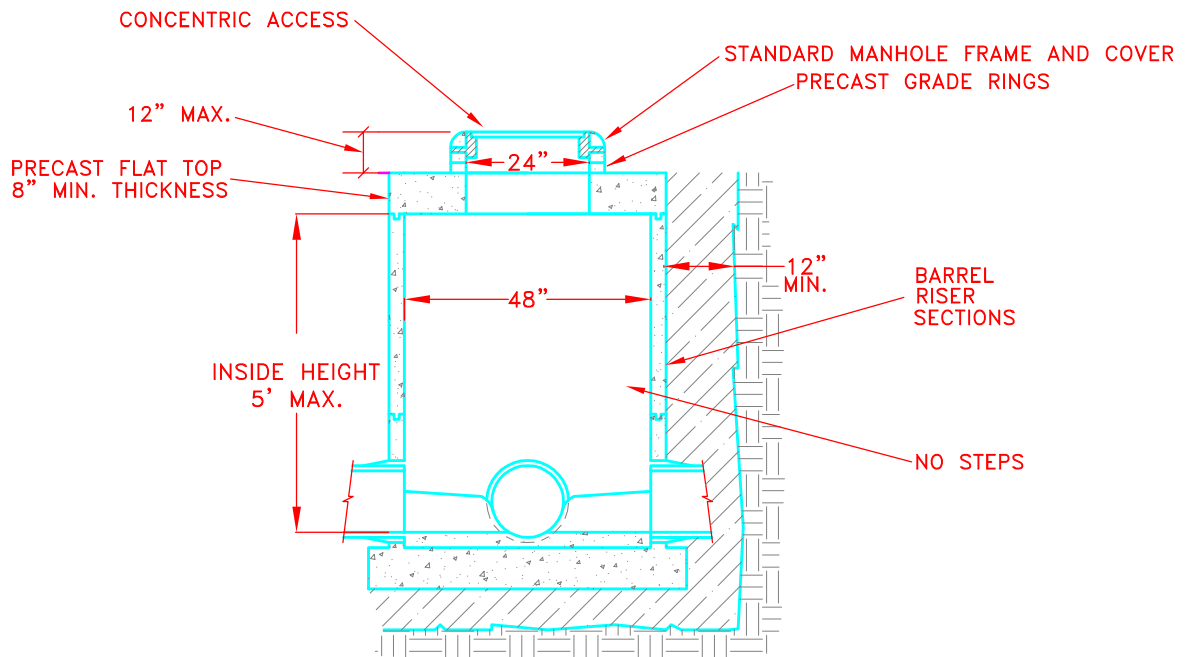


USE PRECAST CONCRETE SHORT CONE OR FLAT-TOP WITH CONCENTRIC ACCESS



NOTES:

1. SEE DETAIL DWG. NO. 401 FOR ADDITIONAL REQUIREMENTS RELATIVE TO CONSTRUCTION OF PRECAST STANDARD AND FLAT-TOP MANHOLES.
2. FLAT-TOP MANHOLES SHALL BE CONSTRUCTED WHERE INSIDE HEIGHT IS LESS THAN 5'.
3. PRECAST CONCRETE SHORT CONES AND FLAT-TOPS SHALL BE PROVIDED WITH CONCENTRIC ACCESS WHERE INSIDE HEIGHT OF MANHOLE IS LESS THAN 5'.
4. NO INTERIOR GROUTING IS ALLOWED.

CITY OF ALBANY, OREGON
PUBLIC WORKS DEPARTMENT

SHALLOW PRECAST
MANHOLE DETAIL

NO SCALE

JULY 2019

NO. 402